



Scan for more information

FLT-11

User Manual

Table of Contents

Caution.....	3
Specifications.....	4
Dimensional Drawing.....	5
Mounting Hole Dimensional Drawing.....	6
Components/Setup.....	7
Operation/Reset Procedure.....	8

Have any queries? Our expert engineers are here to help!



sales@progressiveautomations.com



1-800-676-6123



progressiveautomations.com

Caution



Ensure no obstacles are in the column's path. Ensure the column is not touching any walls. Ensure all cords are appropriate length to accommodate the change in height.



Warning
Pinch Point
Keep hands and fingers clear.



Keep children away from electric height-adjustable lifting columns, control units, and handsets. There is a risk of injury and electric shock.



Keep all electrical components away from liquids.



Do not sit or stand on the lifting column. Do not crawl or lie under the lifting column.



Do not place any objects taller than 20" underneath the lifting column.



During the Reset Procedure, the lifting column will retract **7mm below the lowest normal operating height**. Ensure no obstacles impede this motion of travel.

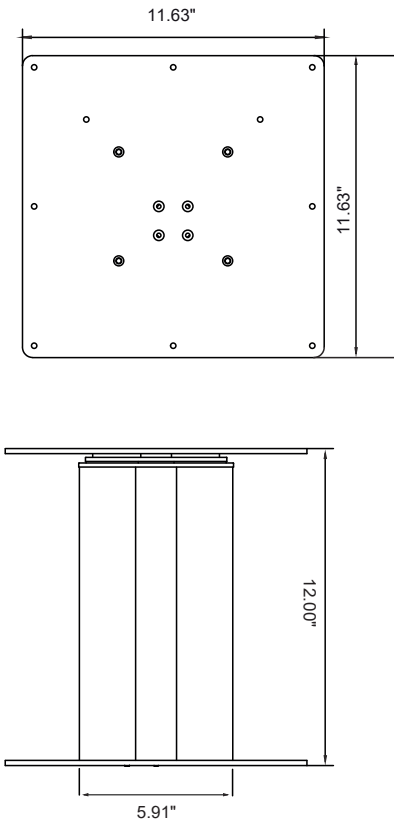
Specifications

Input Voltage	120 VAC, 60 Hz
Output Voltage	24 VDC
Stroke	16.5"
Weight Capacity	225lbs
Speed	0.5"/sec
Height Range	12" - 28.5"
Duty Cycle	10% Max. 2 mins on, 18 mins off
Material	Aluminium Alloy
Temperature Rating	5C to 40C

Feature	Description
Start and Stop	The tablelift will accelerate to maximum speed and decelerate to a stop to ensure smooth travel.

Dimensional Drawing

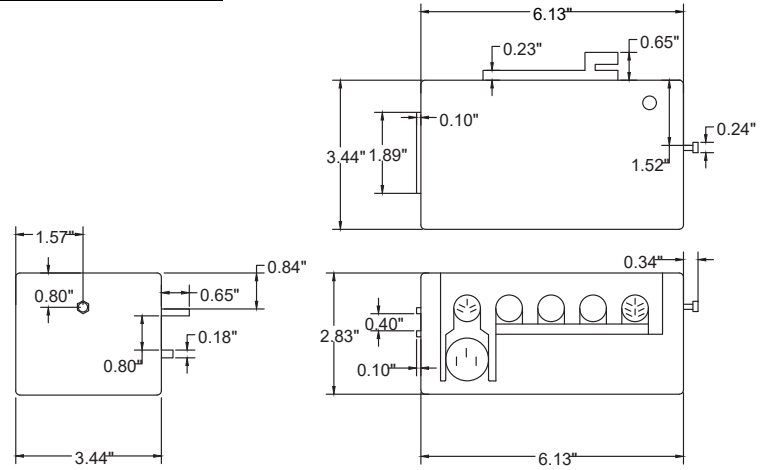
Lifting Column



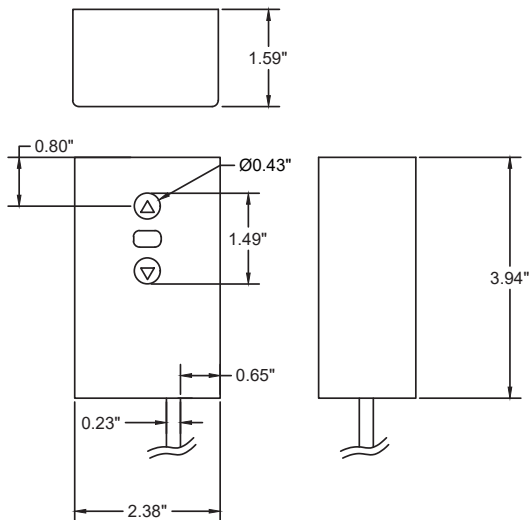
Top & Bottom

Column

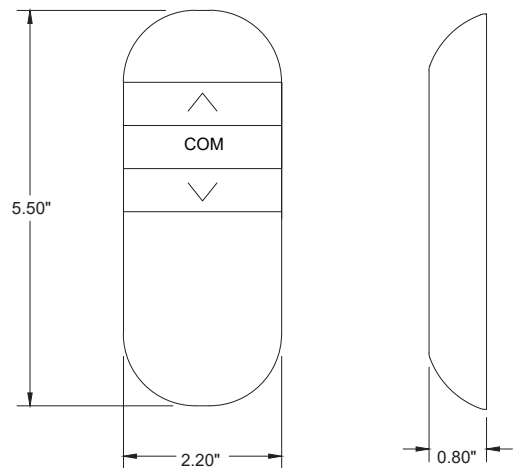
Control Box



Wired Remote



Wireless Remote



Components

Lifting Column



Control Box



AC Power Cord



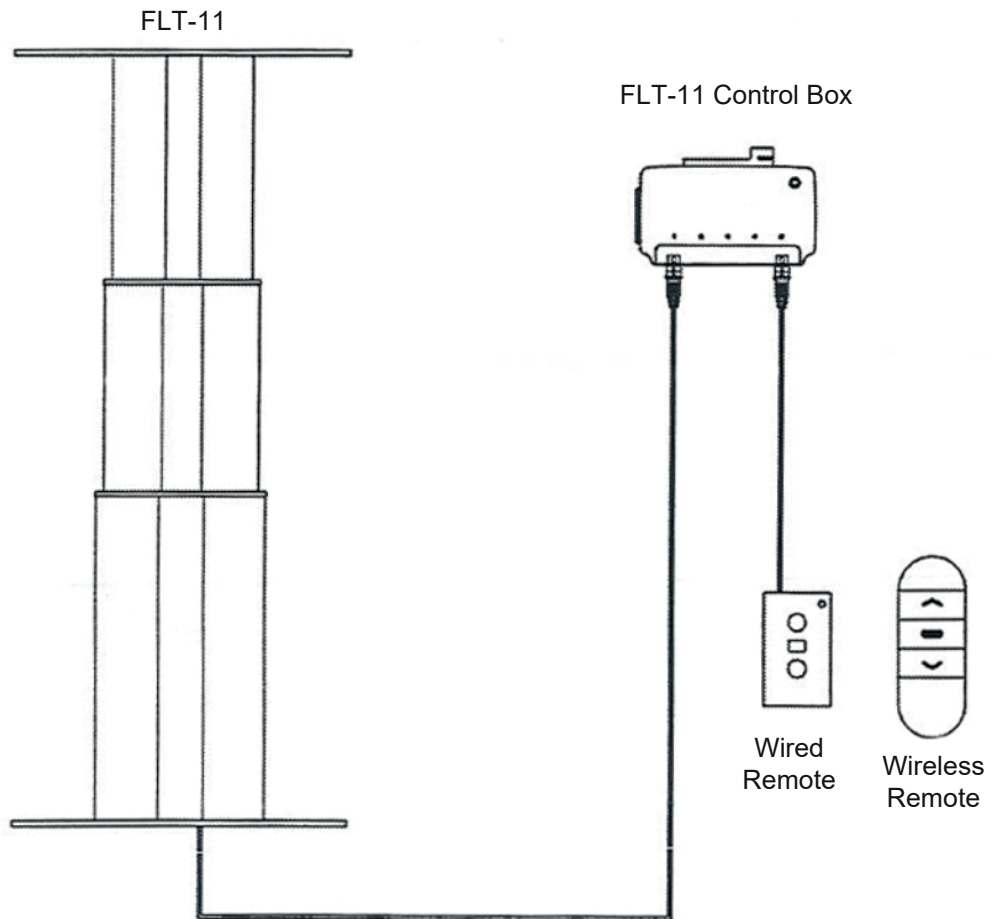
Wired Remote



Wireless Remote



Setup



Operation Procedure

Use the wired or wireless remote for full up and down motion control. The non-momentary buttons allow the user to press the buttons for both up and down control. Pressing any button while in motion will stop the column.

Pairing the wireless remote

Press the UP and DOWN buttons on the wireless remote while simultaneously pressing the button on the side of the control box for 10 seconds. The control box will emit a single beep to confirm the pairing procedure has started. After 10 seconds, the wireless remote is now ready for use.

LED Light: A green light will indicate the column is in normal operation. A red light will indicate that the column is locked. Please see the unlocking procedure below.

Reset Procedure

To reset the lifting column, press and hold the down button of the wired hand remote. After 10 seconds, the green light on the hand remote will start flashing. This indicates that the lifting column is in reset mode. To complete the reset procedure, press and hold the down button for 10 seconds until the green light stops flashing.

Safety Features

This column comes with a built-in self-locking features, when left idle for 10 seconds, the column will lock and will be unresponsive to controls.

If the LED light is red, this will indicate you must unlock the column in order to lower the lift. Press and hold the DOWN button for 5 seconds on either remote to unlock the lifting column for full control.

Ant-collision sensor: When retracting the lifting column, the control box will detect any obstructing objects. Once detected, the column will stop and rise slightly.

Overcurrent Protection: While in motion, the controller will detect a current spike. When sensing a current spike of 6.5A, the lifting column will stop to prevent any overloading errors.

Have any queries? Our expert engineers are here to help!



sales@progressiveautomations.com



1-800-676-6123



progressiveautomations.com